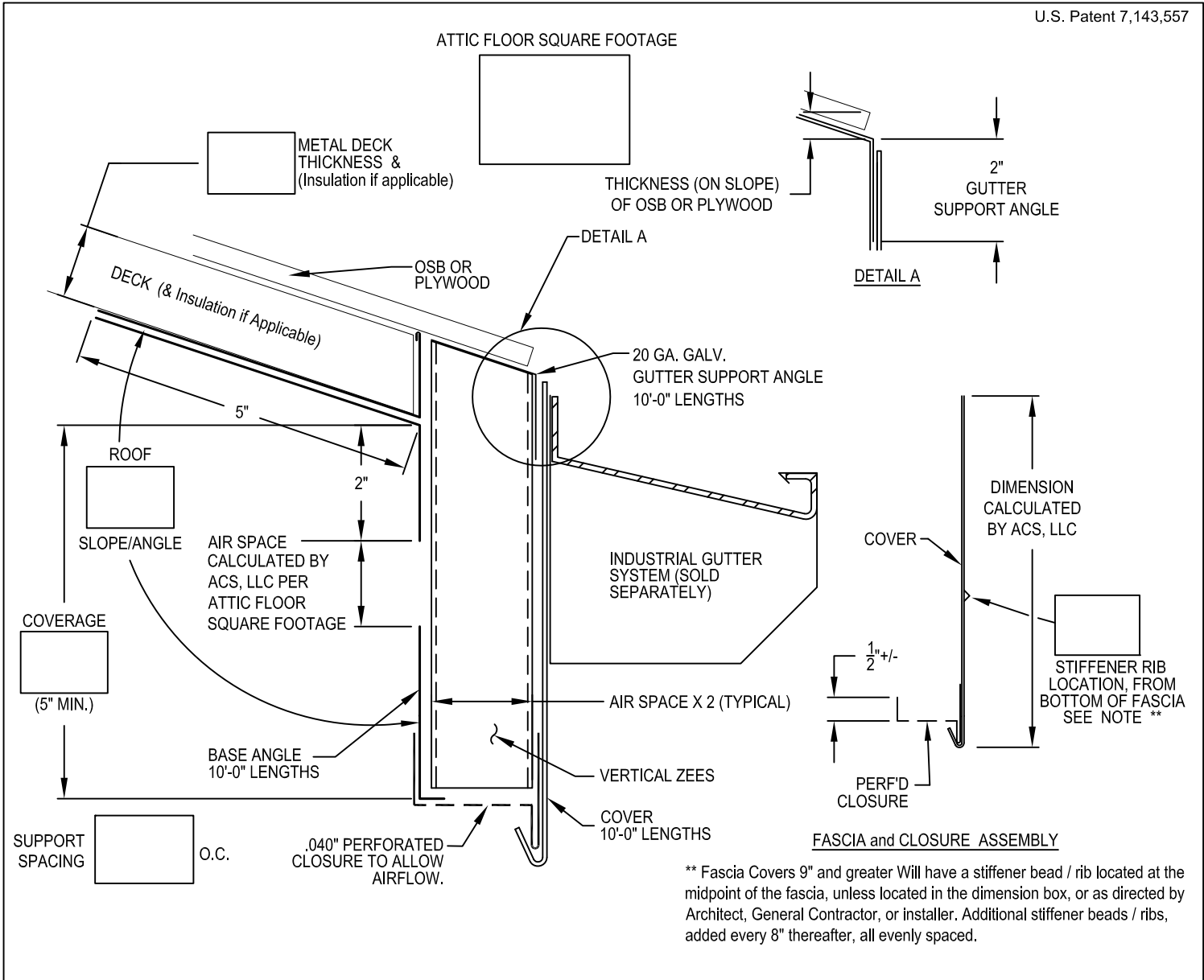


REFERENCE DETAIL:

# STRUCTEAVENT SYSTEM SVA

STRUCTURAL VENTILATED ATTIC

U.S. Patent 7,143,557



\*\* Fascia Covers 9" and greater Will have a stiffener bead / rib located at the midpoint of the fascia, unless located in the dimension box, or as directed by Architect, General Contractor, or installer. Additional stiffener beads / ribs, added every 8" thereafter, all evenly spaced.

All Fasteners as provided by others  
 Base / Zee assembly shipped prefabricated  
 Fascia and Closures loose shipped.

Fabrication will proceed only after receipt of signed print approval.

## Print Approval:

Architect and/or contractor shall verify all dimensions, sizes and quantities. All products to be installed in strict accordance with ACS, LLC printed instructions.

Approved by: \_\_\_\_\_

Date: \_\_\_\_\_

### COVER:

- |                                                       |                                                      |
|-------------------------------------------------------|------------------------------------------------------|
| <input type="checkbox"/> 22 Ga. (.81 mm) Galv. Steel* | <input type="checkbox"/> 24 Ga. (.65 mm) Galv. Steel |
| <input type="checkbox"/> .040" (1.01 mm) Aluminum*    | <input type="checkbox"/> .050" (1.27 mm) Aluminum    |
| <input type="checkbox"/> .063" (1.60 mm) Aluminum     | <input type="checkbox"/> Other: _____                |

Color: \_\_\_\_\_


Finish: \_\_\_\_\_

### PERFORATED CLOSURE:

- |                                                     |                                                      |
|-----------------------------------------------------|------------------------------------------------------|
| <input type="checkbox"/> .040" (1.01 mm) Bone White | <input type="checkbox"/> .040" (1.01 mm) Dark Bronze |
| <input type="checkbox"/> .040" (1.01 mm) Sandstone  |                                                      |

### QUANTITIES:

\_\_\_\_\_ Linear Feet (10'-0" (3.05 M Lengths) Include Waste As Required

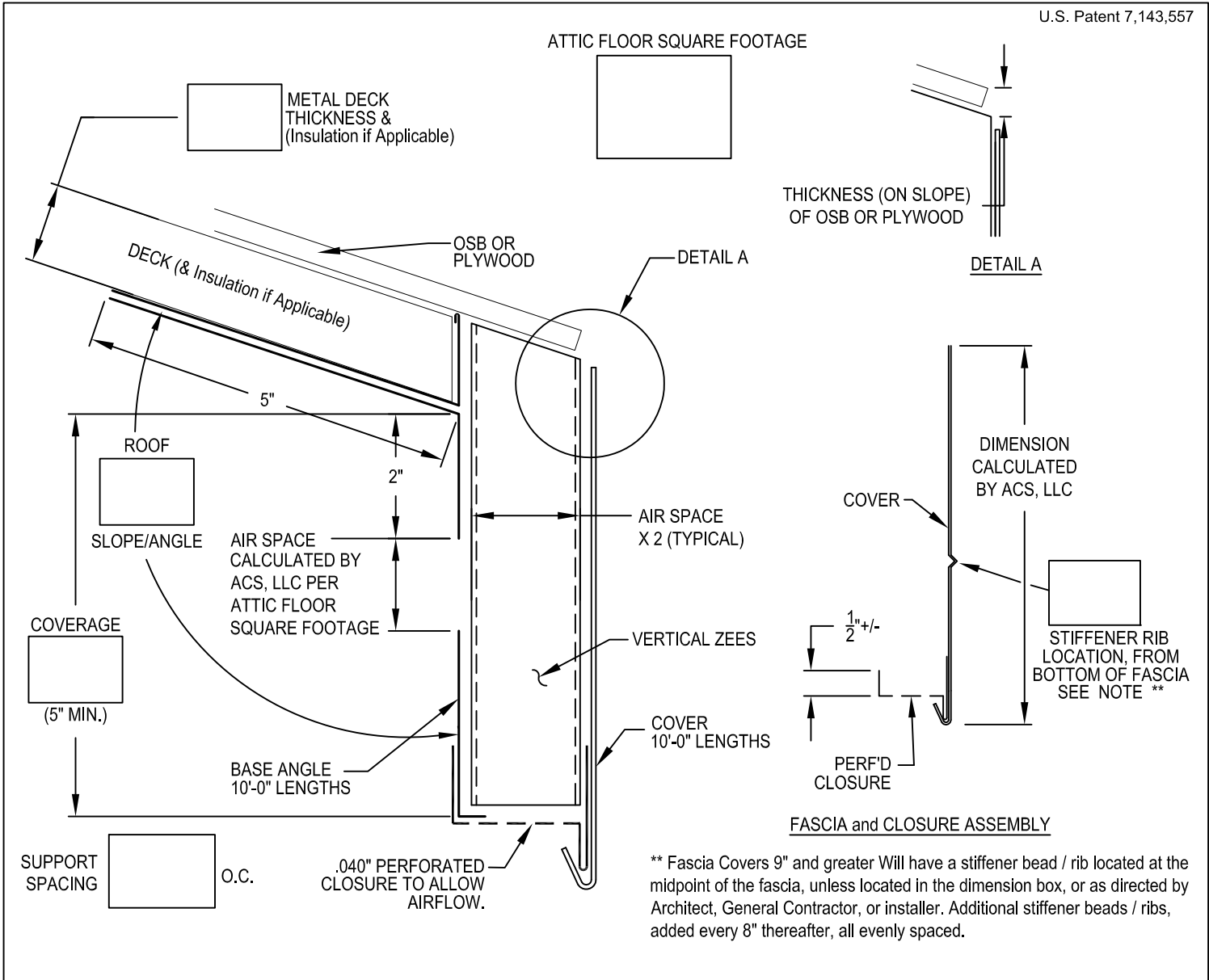
PROJECT:	 <b>ACS, LLC</b> 2550 Five Star Pkwy. Phone : 877-580-9756 Suite 116 Bessemer, AL 35022 www.acs-reps.com	
ARCHITECT:		
CONTRACTOR:	DATE: 6-30-10	SHT.# _____ OF _____
REPRESENTATIVE:	DRN BY: KK	DWG# _____
	CHK BY: HA	

REFERENCE DETAIL:

# STRUCTEAVENT SYSTEM SVA

STRUCTURAL VENTILATED ATTIC

U.S. Patent 7,143,557



All Fasteners as provided by others  
 Base / Zee assembly shipped prefabricated  
 Fascia and Closures loose shipped.

Fabrication will proceed only after receipt of signed print approval.

### Print Approval:

Architect and/or contractor shall verify all dimensions, sizes and quantities. All products to be installed in strict accordance with ACS, LLC printed instructions.

Approved by: \_\_\_\_\_

Date: \_\_\_\_\_

**COVER:**

<input type="checkbox"/> 22 Ga. (.81 mm) Galv. Steel	<input type="checkbox"/> 24 Ga. (.65 mm) Galv. Steel*
<input type="checkbox"/> .040" (1.01 mm) Aluminum*	<input type="checkbox"/> .050" (1.27 mm) Aluminum
<input type="checkbox"/> .063" (1.60 mm) Aluminum	<input type="checkbox"/> Other: _____

Color: \_\_\_\_\_ Finish: \_\_\_\_\_

**PERFORATED CLOSURE:**

<input type="checkbox"/> .040" (1.01 mm) Bone White	<input type="checkbox"/> .040" (1.01 mm) Dark Bronze
<input type="checkbox"/> .040" (1.01 mm) Sandstone	

**QUANTITIES:**


\_\_\_\_\_ Linear Feet (10'-0" (3.05 M Lengths) Include Waste As Required

PROJECT: \_\_\_\_\_

ARCHITECT: \_\_\_\_\_

CONTRACTOR: \_\_\_\_\_

REPRESENTATIVE: \_\_\_\_\_

 <b>ACS</b>	<b>ACS, LLC</b> 2550 Five Star Pkwy. Phone : 877-580-9756 Suite 116 Bessemer, AL 35022 www.acs-reps.com	
	DATE: 6-30-10	SHT.# ____ OF ____
DRN BY: KK		
CHK BY: HA	DWG#	X